

CABLE 280 RF: I-PEX MHF PLUG + FRONT MOUNT TNC STRAIGHT BULKHEAD JACK WITH O-RING RATED TO IP67/68 + 1.37MM CABLE

SPECIFICATIONS:

1. I-PEX MHF PLUG, P/N: 20351-112R-37.
2. COAXIAL CABLE, SEE P/N OPTIONS FOR DETAIL.
3. FRONT MOUNT TNC STRAIGHT BULKHEAD JACK WITH O-RING RATED TO IP67/68, P/N: RFCT-TNC009-F78.

ENVIRONMENTAL:

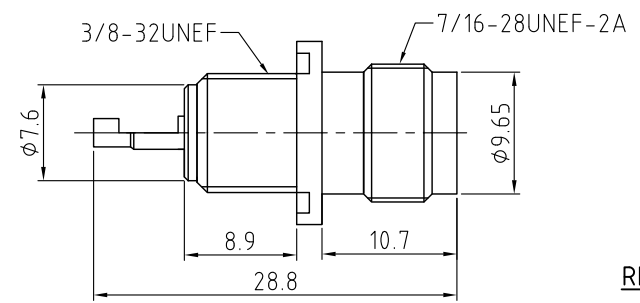
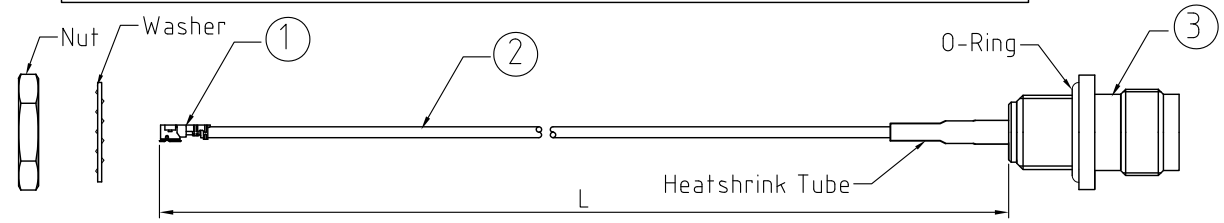
- A. BULKHEAD MOUNTED CONNECTOR (RFCT-TNC009-F78) RATED TO THE FOLLOWING SPECIFICATION:
- i. IP6X - DUST TIGHT - NO PARTICLE INGRESS.
 - ii. IPX7 WATERPROOF FOR 30 MINUTES UP TO 1 METER UNDERWATER.
 - iii. IPX8 WATERPROOF FOR 48 HOURS AT 1 METER UNDERWATER.

NOTES:

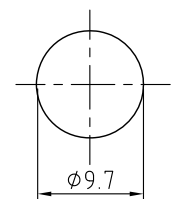
1. WORKING FREQUENCY RANGE: DC-3GHz.
2. IT IS INTENDED THAT MOUNTING OF THIS CONNECTOR IS ACHIEVED USING THE NUT AND WASHER PROVIDED. PLEASE CONTACT GRADCONN FOR ADVISE IF PLANNING TO USE A DIFFERENT METHOD OF MOUNTING.

USAGE PRECAUTIONS: CABLES USING 'MICRO' COAX ARE DELICATE:

- (i) HANDLE WITH CARE.
- (ii) DO NOT TWIST; APPLY EXCESSIVE FORCES OR SHARP BENDS TO THE CABLE. DO NOT FORCEFULLY DEFORM WIRES.
- (iii) CONSULT CONNECTOR MANUFACTURER'S DATASHEETS FOR DETAILED NOTES ON HANDLING INSTRUCTIONS.



TNC DETAIL DRAWING



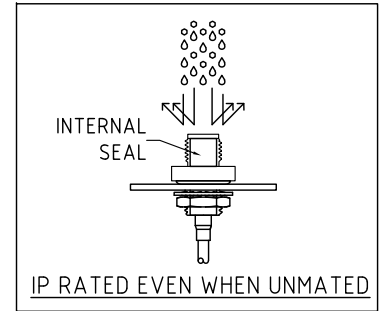
RECOMMENDED MOUNTING HOLE TOLERANCE: ±0.1

HOW TO ORDER
CABLE 280 RF - X X X - X - 1

"L" LENGTH IN MM
eg: 100MM = 100
(MIN. = 025, MAX. = 400,
STANDARD = 100, 150, 200)
Tolerance: <50mm: ±2mm.
50-200mm: ±5mm.
201-400mm: ±7mm.

CABLE SIZE OPTIONS:
1 = Ø1.37MM CABLE, COLOR: BLACK

WASHER AND NUT OPTIONS:
BLANK = SEPARATELY PACKED (STANDARD)
A = ASSEMBLED WITH CONNECTOR



REV. DATE & DRN
11 16/07/20 - NYW RELEASE
ADD NOTE 2
12 10/03/24 - CC
ADD IP RATING VIEW

Scale: NTS	THIRD ANGLE	Unstated .X .XX .XXX	Tolerances: N/A N/A N/A N/A
Drawn: CC		ANGLES N/A	
App'd: XXX	Title CABLE ASSEMBLY		
Date: 10 MAR. '24	Revision: 1.2	Unit: mm	



IP Rated RF Products



www.gradconn.com

Type: Cable 280 RF
CABLE 280 RF
Drawing Number:
Sheet 1 of 1
Drawing © E and O E